

# AMERICH®

## CONTURA® III 6032

FREESTANDING



### DIMENSIONS

60" x 32" x 23" (1524 x 813 x 584 mm)  
Gallon to Overflow = 60 (Liters = 227)  
Factory installed integral drain.

### MATERIAL

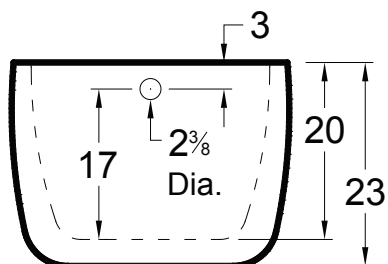
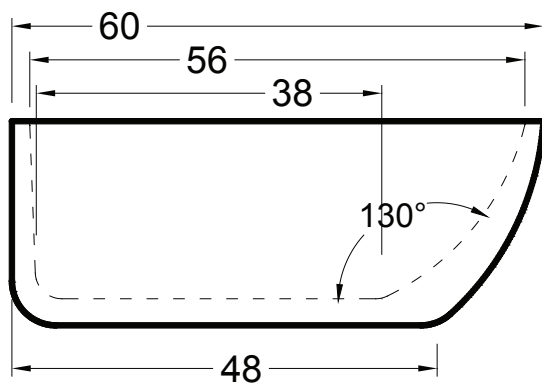
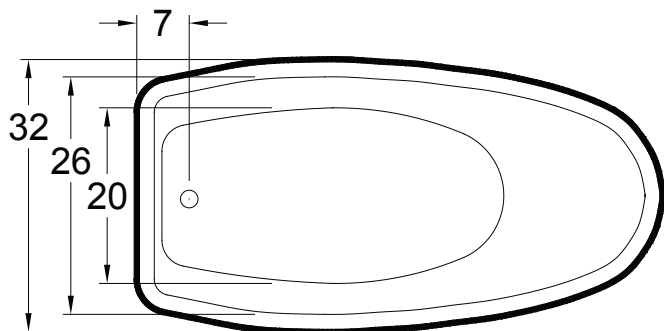
Acrylic

### TUB FLOOR

Non - Textured

### UNDERMOUNT:

This tub is not designed for undermount installation.



### APPROVALS & COMPLIANCE



Americh products meet or exceed the following standards:

- Underwriters Laboratories (UL)
- Underwriters Laboratories - Canada (cUL)
- ANSI Z124.1 • ANSI A112-19.7
- ANSI A112.19.8

Contact Americh for additional approvals.

★ Made in the USA

All bathtub dimensions are ± 1/2"

Last Update 1/20/21

Always check our website for the most updated specifications: [Americh.com](http://Americh.com)

## LEGEND



Blower



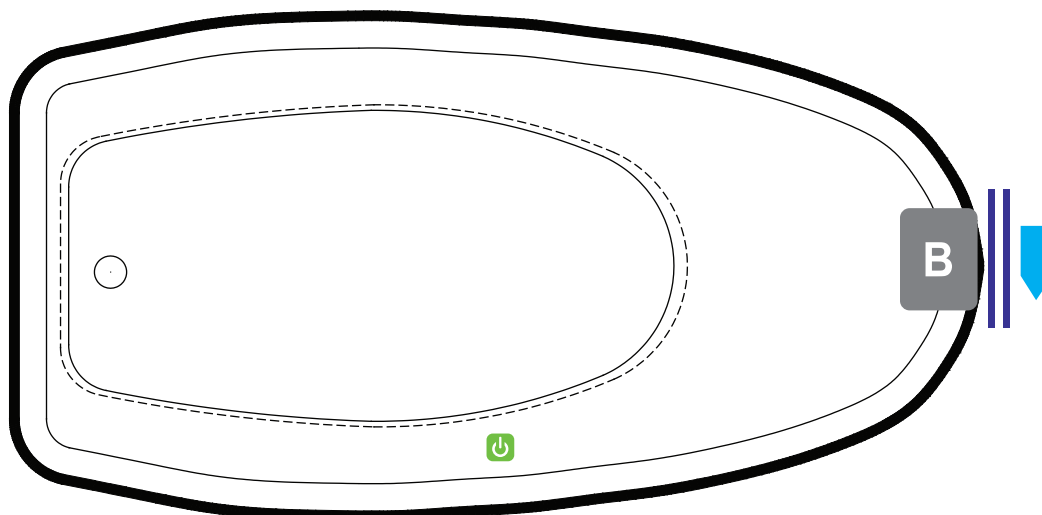
ON/OFF Control



Access Panel



MFG IDLabel



## Airbath System II

Factory installed blower may only be placed in this location.

### STANDARD EQUIPMENT

- Integral Waste & Overflow
- Lift bag is provided

### OPTIONAL ACCESSORIES

- Chromatherapy
- Linear Waste & Overflow Upgrade
- Pillow: 12"
- Remote Control Upgrade

### INSTALLATION TIPS

- Install according to Owner's Manual and local codes.
- Always consult your local plumber for recommendations as installations will vary.
- The bath must be secured to the floor by applying a bead of silicone around the base.
- Installation must be carried out according to the manufacturer instructions.
- Hot water supply should be 65-75% of tub capacity or greater.

### ELECTRICAL REQUIREMENTS

Americh recommends one 20 amp ground fault circuit interrupter (GFCI) for each power supply provided with the bathtub.