



### DIMENSIONS

72" x 34" x 24" deep (1829 x 914 x 533 mm)  
 Gallon to Overflow = 85 (Liters = 322)  
 Height to Overflow = 15¾" (400 mm)

### MATERIAL

Polymer Composite

### TUB FLOOR

Non - Textured

### UNDERMOUNT: NO

This tub is not designed for undermount installation.

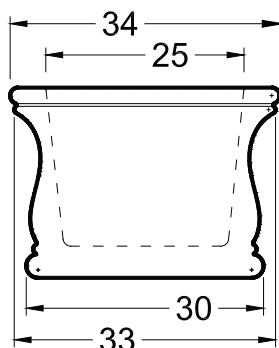
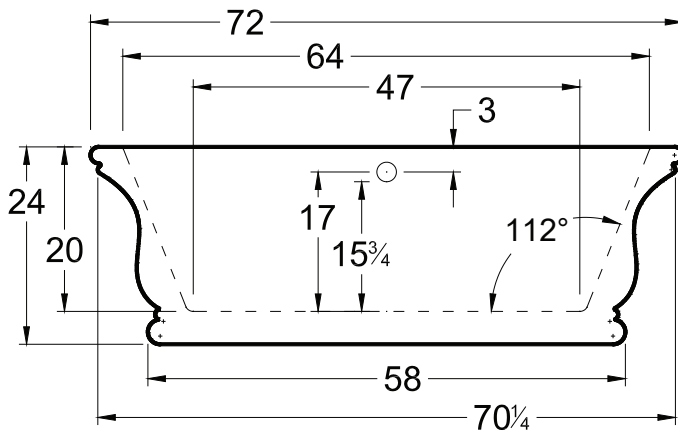
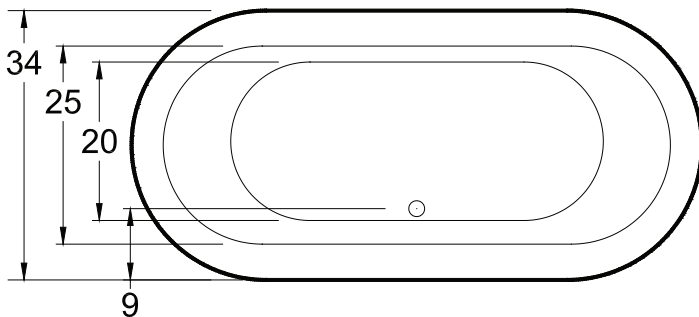
### APPROVALS & COMPLIANCE



Americh products meet or exceed the following standards:

- Underwriters Laboratories (UL)
- Underwriters Laboratories - Canada (cUL)
- ANSI Z124.1 • ANSI A112-19.7
- ANSI A112.19.8

Contact Americh for additional approvals.



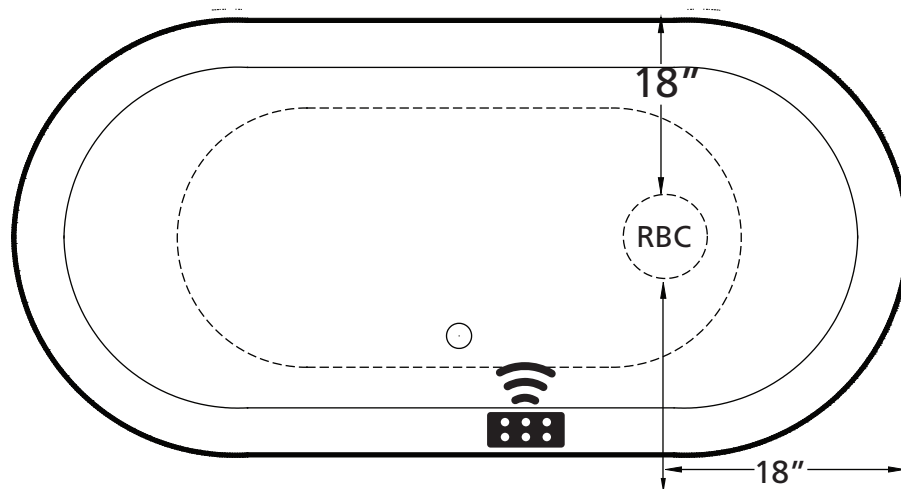
## LEGEND



Remote Blower Connection



REMOTE CONTROL  
(With INVISIBLE MAGNETIC HOLDER)



Airbath System II

Blower must be remotely located  
(Diagram is required for custom blower connection)

### STANDARD EQUIPMENT

- Americh Remote Control (with AirBath System only)
- Integral Waste & Overflow

### OPTIONAL ACCESSORIES

- Dual Color (Premium Color Upcharge)
- Pillows: 12"
- Waste & Overflow Upgrade
- Linear Waste & Overflow Upgrade

### INSTALLATION TIPS

- Install according to Owner's Manual and local codes.
- Always consult your local plumber for recommendations as installations will vary.
- The bath must be secured to the floor by applying a bead of silicone around the base.
- Installation must be carried out according to the manufacturer instructions.
- Hot water supply should be 65-75% of tub capacity or greater.

### ELECTRICAL REQUIREMENTS

Americh recommends one 20 amp ground fault circuit interrupter (GFCI) for each power supply provided with the bathtub.