



### DIMENSIONS

42" x 42" x 33" (1067 x 1067 x 838mm)  
Gallon to Overflow = 78 (Liters = 295)

### MATERIAL

Interior: Acrylic  
Exterior: Polymer Composite

### TUB FLOOR

Textured

### UNDERMOUNT: NO

This tub is not designed for undermount installation.

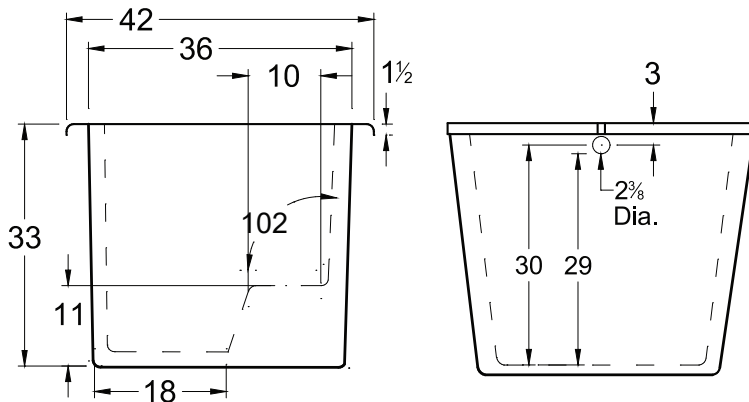
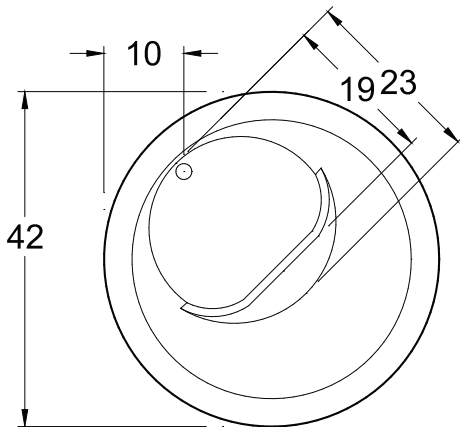
### APPROVALS & COMPLIANCE

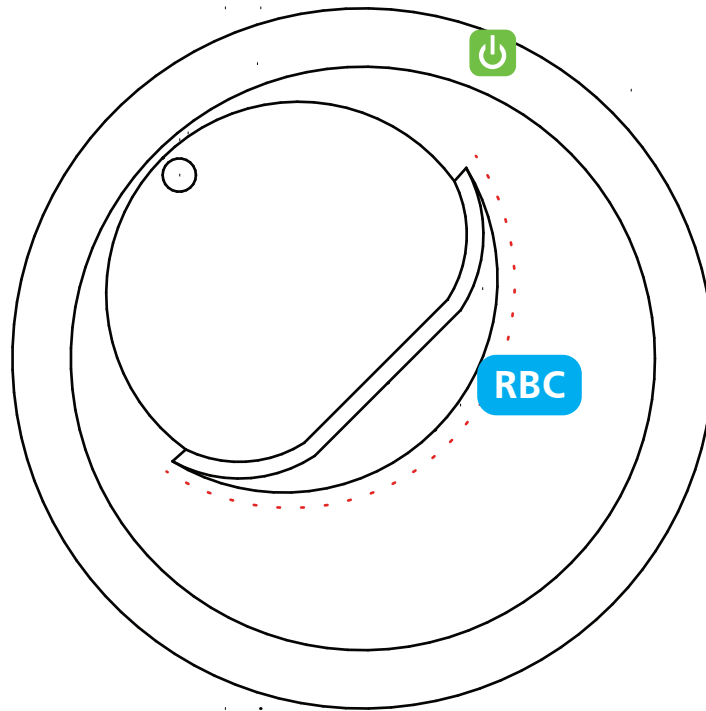


Americh products meet or exceed the following standards:

- Underwriters Laboratories (UL)
- Underwriters Laboratories - Canada (cUL)
- ANSI Z124.1 • ANSI A112-19.7
- ANSI A112.19.8

Contact Americh for additional approvals.





Airbath System II  
Blower must be remotely located

## LEGEND



ON/OFF Control



Remote Blower  
Connection

## STANDARD EQUIPMENT

- PVC Waste & Overflow

## OPTIONAL ACCESSORIES

- Chromotherapy
- Dual Color
- Pillow: 12"
- TCS (Thermal Comfort System)

## INSTALLATION TIPS

- Install according to Owner's Manual and local codes.
- Always consult your local plumber for recommendations as installations will vary.
- The bath must be secured to the floor by applying a bead of silicone around the base.
- Installation must be carried out according to the manufacturer instructions.
- Hot water supply should be 65-75% of tub capacity or greater.
- Tubs with Airsystem may require piping thru the subfloor. Bathrooms on concrete slab may require modification to the tub or installation on a platform to run air piping to the blower in a remote location. (Remote Blower Location Required)

## ELECTRICAL REQUIREMENTS

Americh recommends one 20 amp ground fault circuit interrupter (GFCI) for each power supply provided with the bathtub.